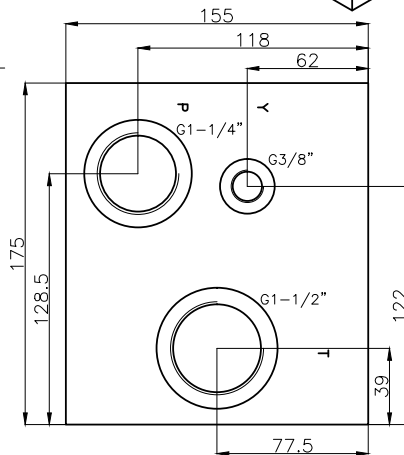
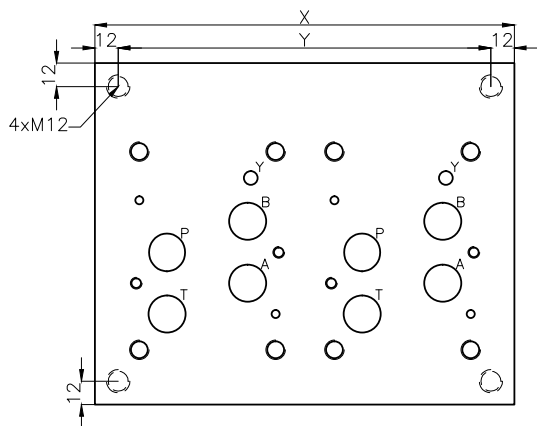
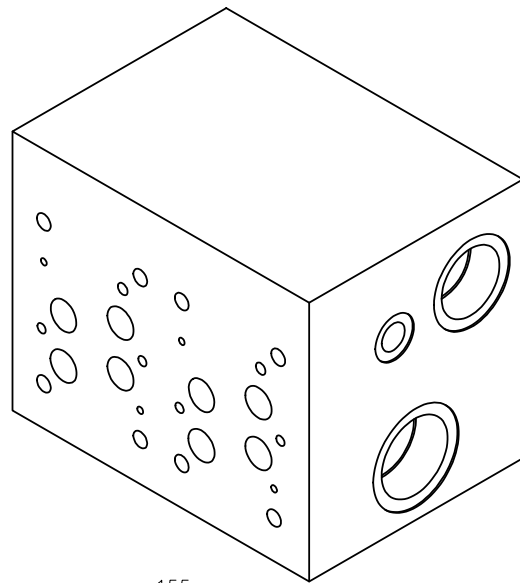
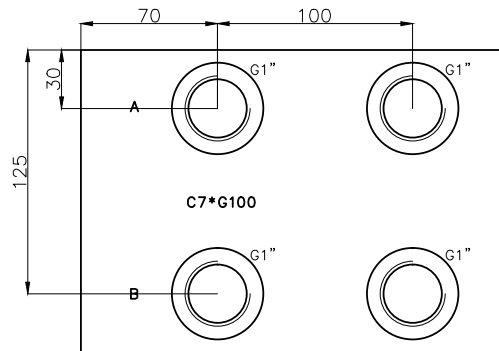


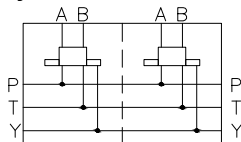


C7\*G100



Stat.	X	Y	kg
1	115	91	19
2	215	191	35
3	315	291	51

Hydraulic scheme



Technical specification

Material	GJS-400-15
Treatment	ISO9717-MnPh
Pressure	300bar
Flow rate	270l/min

Designation code:

