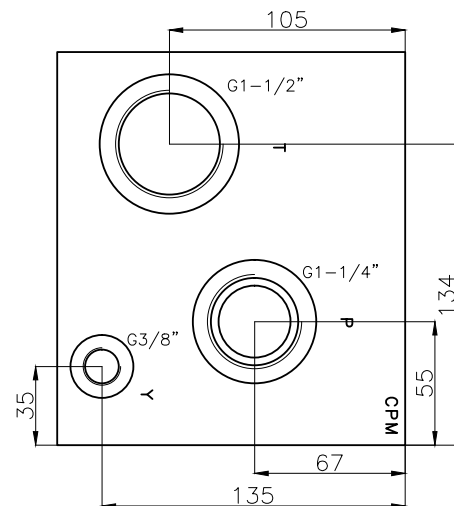
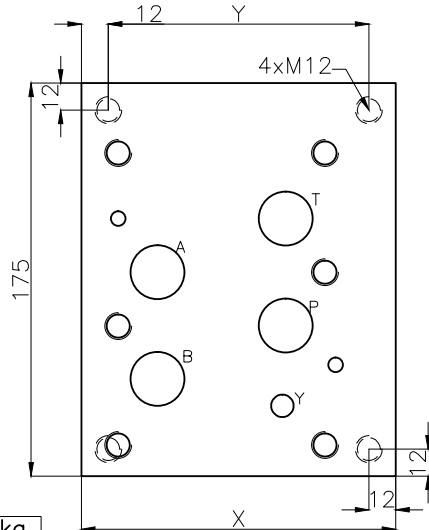
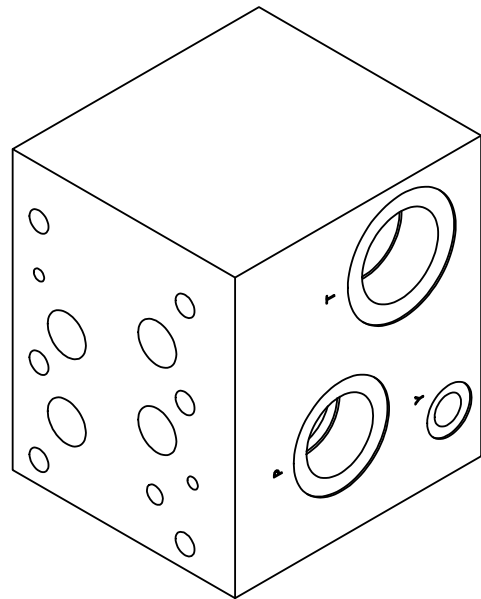
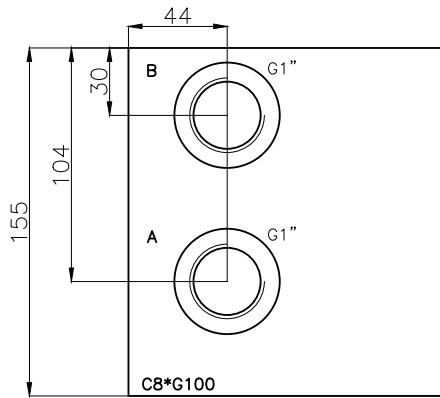


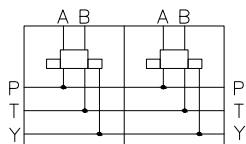


C8xG100



Stat.	X	Y	kg
1	140	116	23
2	265	241	43

Hydraulic scheme



Technical specification

Material: GJS-400-15
 Treatment: ISO9717-MnPh
 Pressure: 300bar
 Flow rate: 350l/min

Designation code

C 8 *

G1 0 0

CPM

Cetop08

Station number

No pressure test

No relief valve

BSP G1"