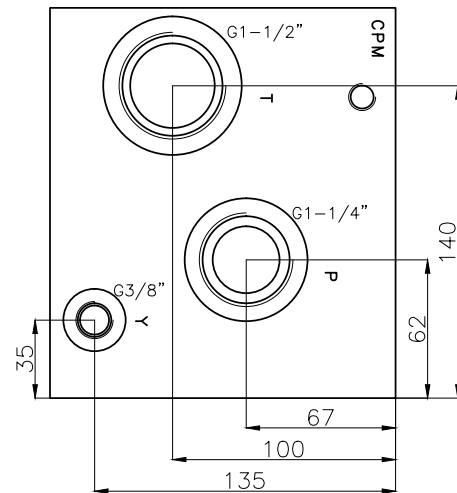
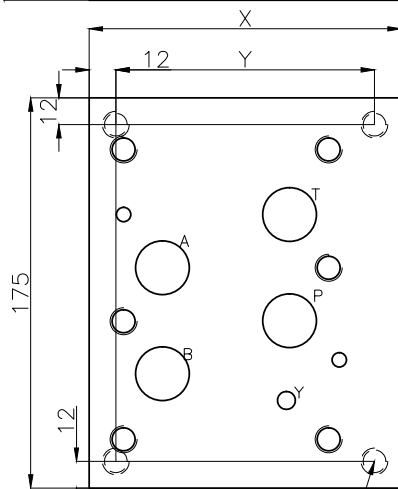
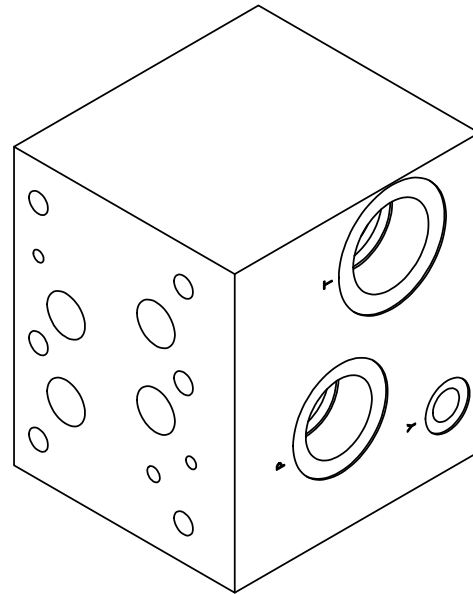
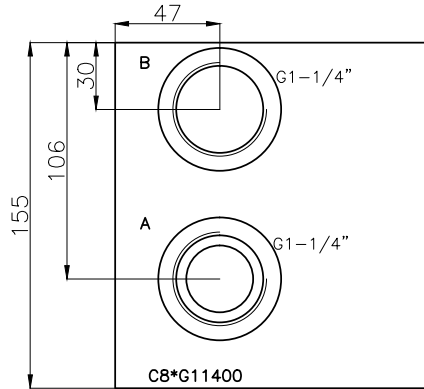


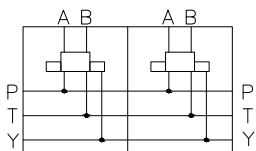


C8\*G11400



Stat.	X	Y	kg
1	140	116	23
2	265	241	43

Hydraulic scheme



Technical specification

Material: GJS-400-15  
 Treatment: ISO9717-MnPh  
 Pressure: 300bar  
 Flow rate: 350l/min

signation code

CPM — C  
 Cetop08 — 8  
 Station number — \*  
 G114 — G114  
 0 — No pressure test  
 0 — No relief valve  
 — BSP G1-1/4"