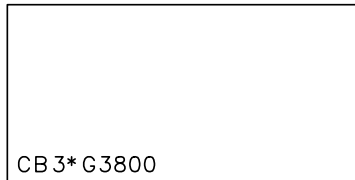
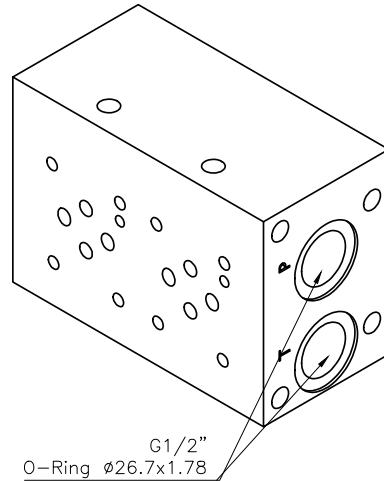
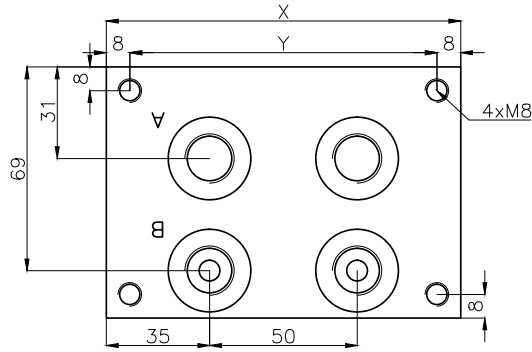
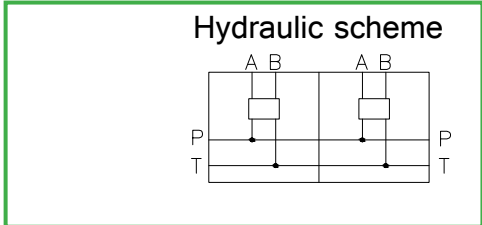
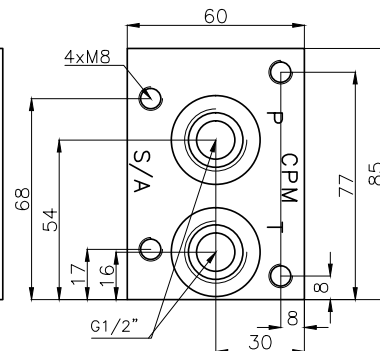
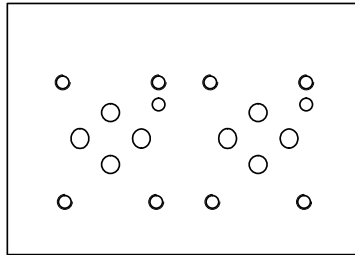




CB3*G3800



Stat.	X	Y	kg
1	70	54	2.35
2	120	104	3.90
3	170	154	5.45
4	220	204	7.00
5	270	254	8.55
6	320	304	10.1
7	370	354	11.6
8	420	404	13.2



Technical specification	
Material:	GJS-400-15
Treatment:	ISO9717-MnPh
Pressure:	300bar
Flow rate:	50l/min

Designation code:

