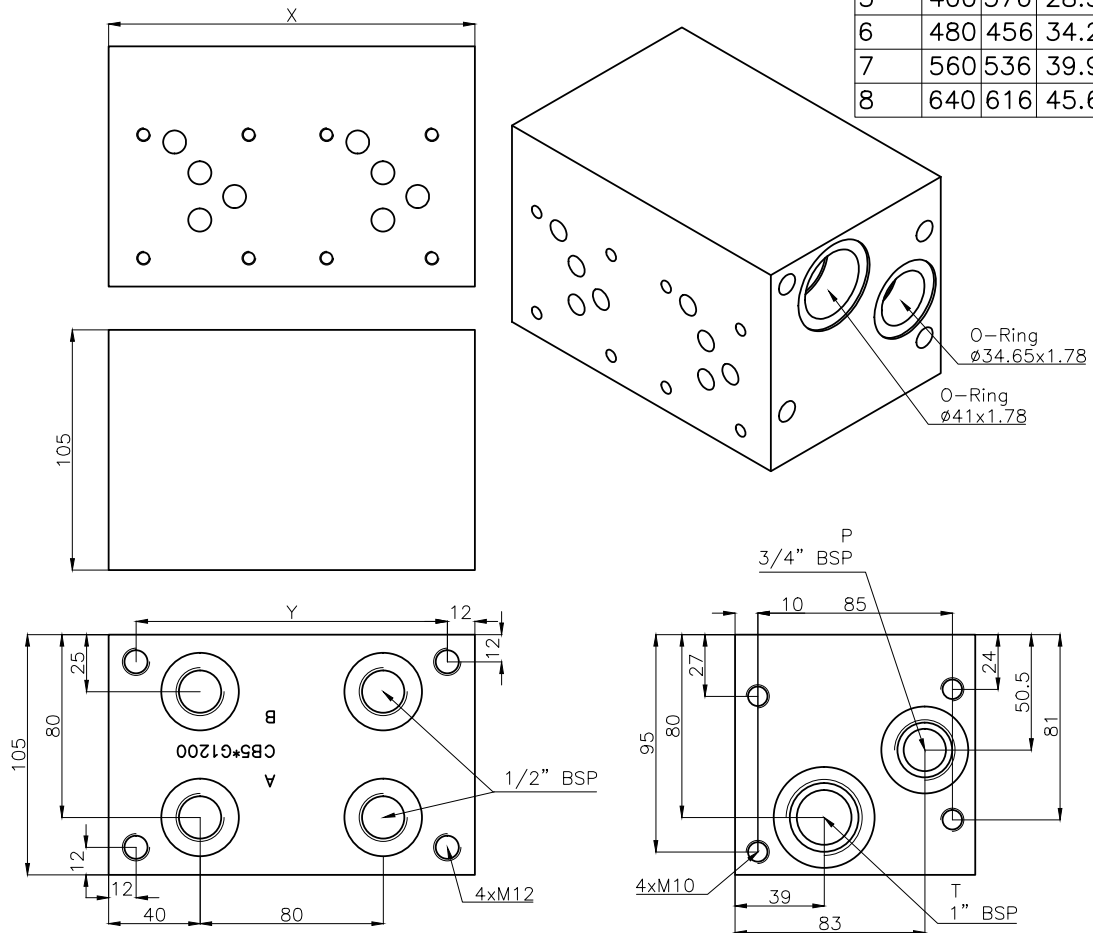


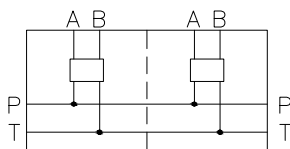


CB5*G1200

Stat.	X	Y	kg
1	80	56	5.8
2	160	136	11.3
3	240	216	17.0
4	320	296	22.7
5	400	376	28.5
6	480	456	34.2
7	560	536	39.9
8	640	616	45.6



Hydraulic scheme



Technical specification

Material: GJS-400-15
Treatment: ISO9717-MnPh
Pressure: 300bar
Flow rate: 120l/min

Designation code:

CPM — C
 Bottom side — B
 Cetop05 — 5
 Station number — *

G12 — G
 00 — No test points
 — No relief valve
 — G1/2" BSP