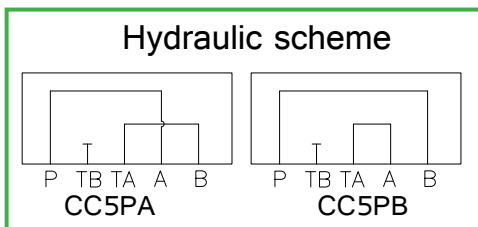
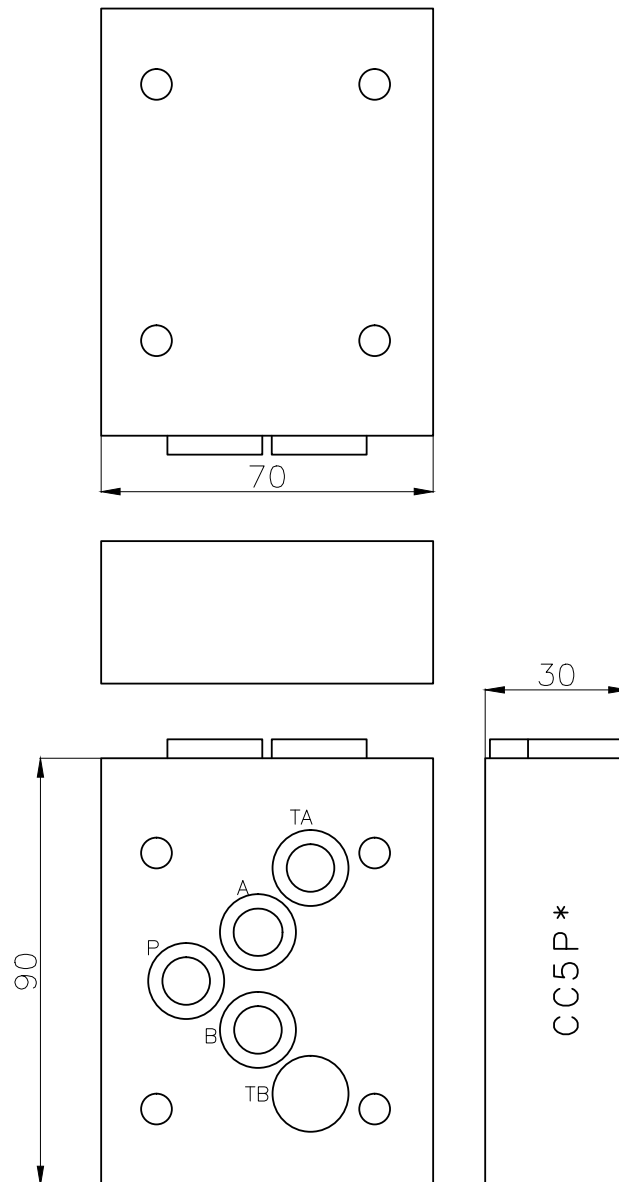




CC5P\*



Technical specification	
Material:	Steel-Acciaio
Treatment:	ISO9717-MnPh
Pressure:	300bar
Weight:	1.35kg
Supplied with seals	

Designation code:

