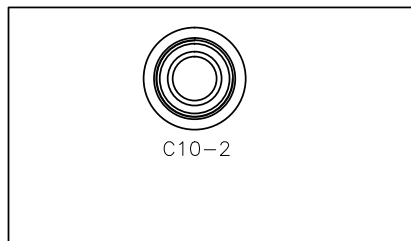
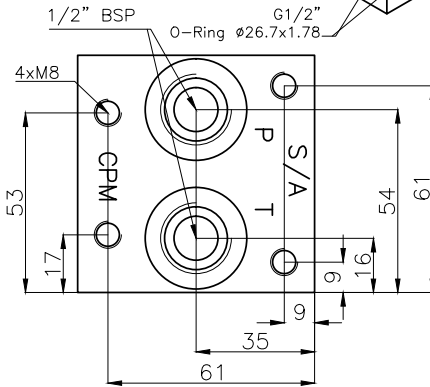
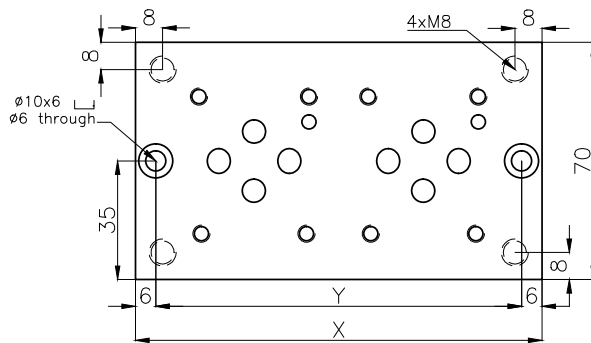
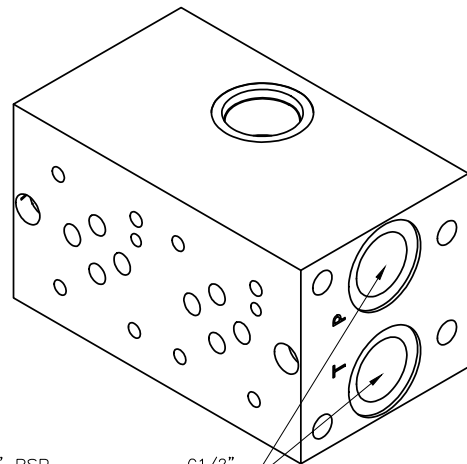
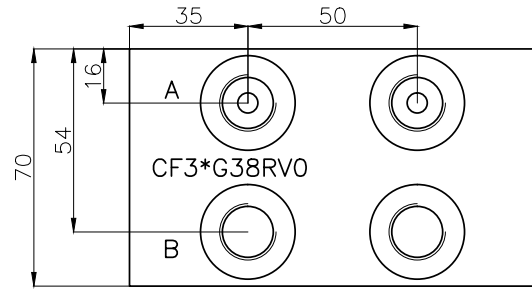
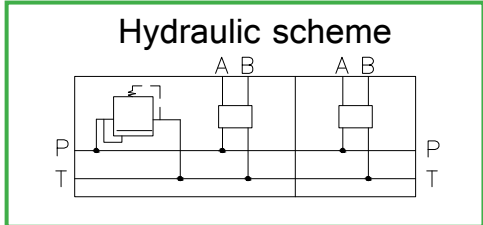




CF3\*G38RV0



Stat.	X	Y	kg
1	90	78	2.9
2	120	108	3.8
3	170	158	5.3
4	220	208	6.8
5	270	258	8.3
6	320	308	9.8
7	370	358	11.3
8	420	408	12.8



Technical specification	
Material:	GJS-400-15
Treatment:	ISO9717-MnPh
Pressure:	300bar
Flow rate:	60l/min

Designation code:

