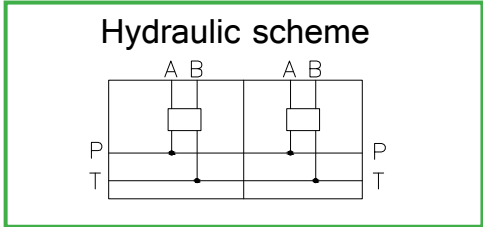
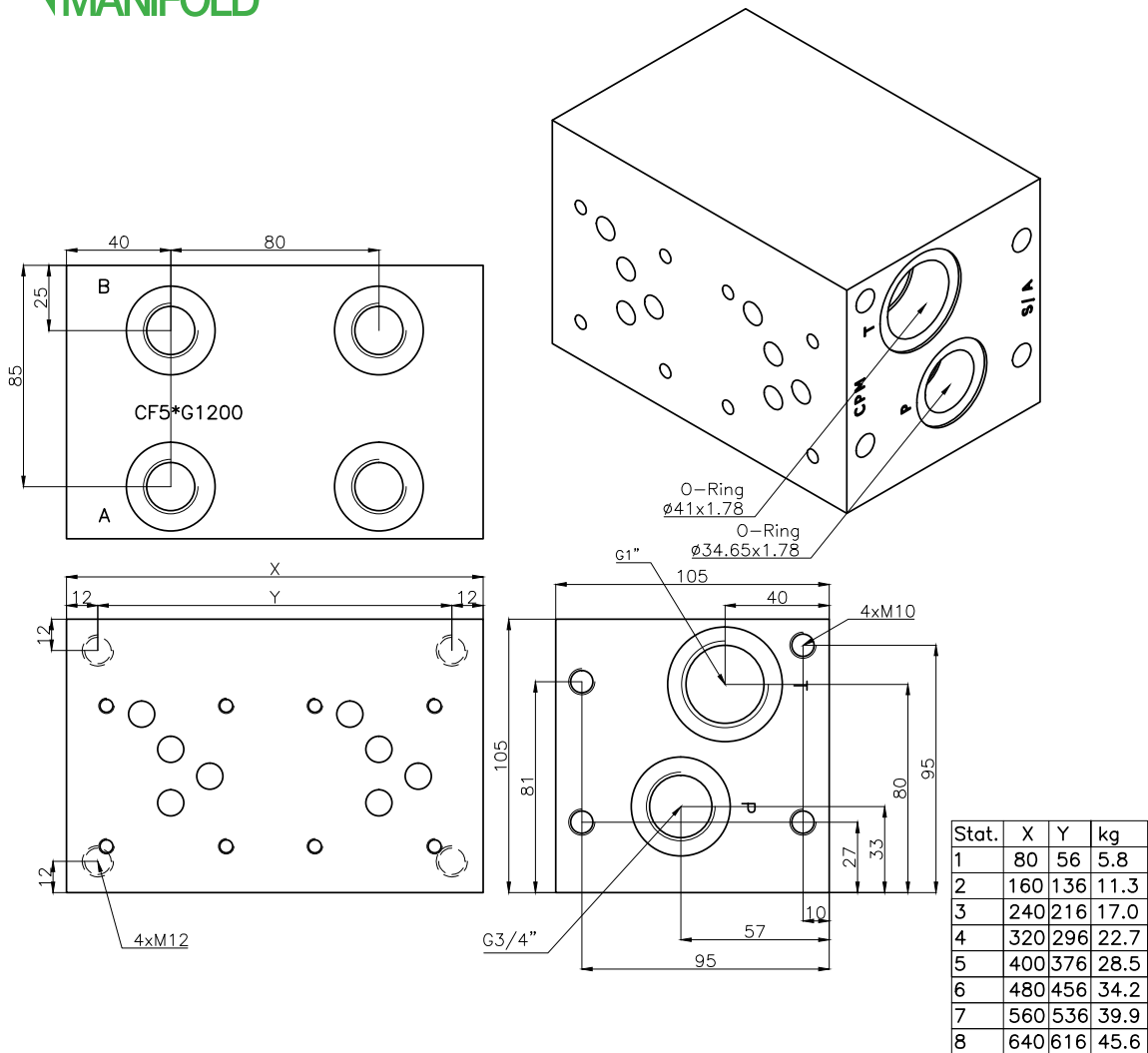




CF5\*G1200



**Technical specification**

Material:	GJS-400-15
Treatment:	ISO9717-MnPh
Pressure:	300bar
Flow rate:	120l/min

Designation code: C F 5 \* G12 0 0

CPM — C  
 Side entry — F  
 CETOP05 — 5  
 Station number — \*  
 G1/2" — G12  
 No pressure test — 0  
 No relief valve — 0