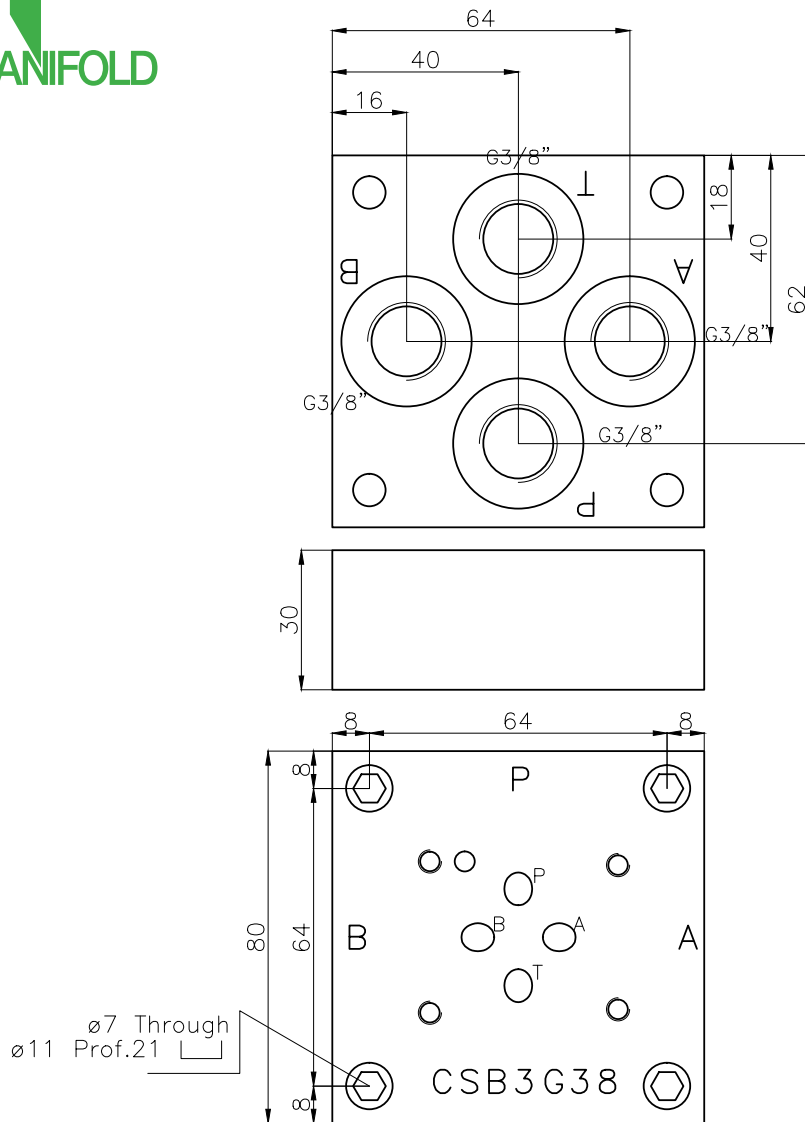
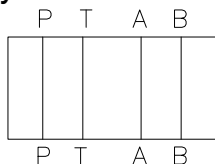




CSB3G38



Hydraulic scheme



Technical specification

Material: Steel
 Treatment: ISO9717-MnPh
 Pressure: 300bar
 Weight: 1.5kg
 Flow rate: 60l/min

Designation code:

CPM C S B 3 G38
 Subplate BSP G3/8"
 Cetop03
 Bottom entry