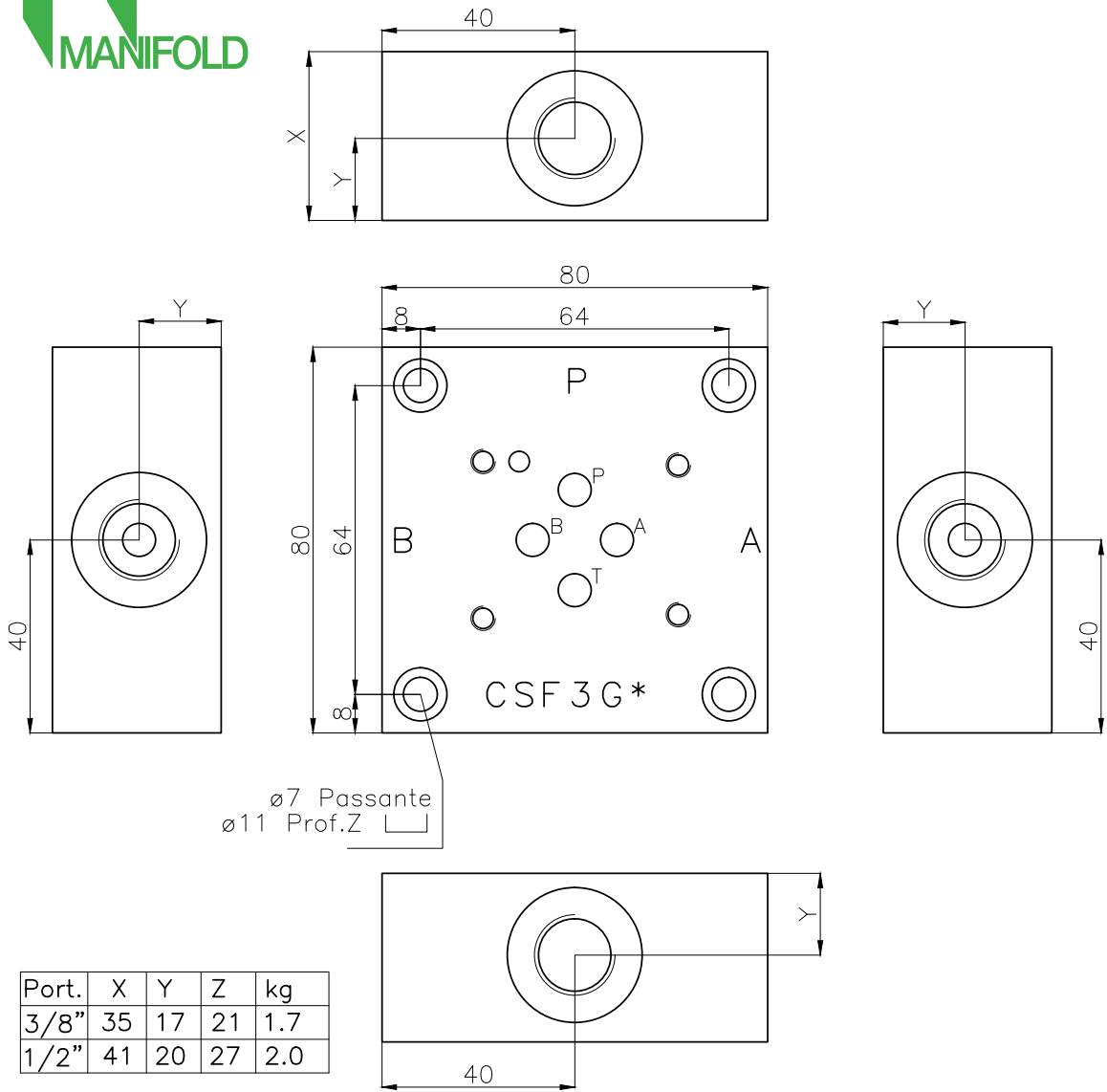
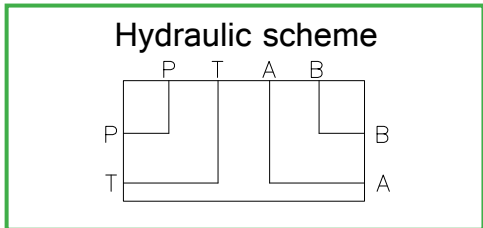




CSF3G\*



Port.	X	Y	Z	kg
3/8"	35	17	21	1.7
1/2"	41	20	27	2.0



**Technical specification**

Material:	Steel
Treatment:	ISO9717-MnPh
Pressure:	300bar
Flow rate:	60l/min (G3/8")
	80l/min (G1/2")

Designation code:

